

PRODUCT INFORMATION PACKET



Model No: M1135244.00
Catalog No: M1135244.00
Parallel Shaft Gearmotor, 0.25 HP, 12 V, 42 RPM, 34 Frame, TENV



Regal and Leeson are trademarks of Regal Rexnord Corporation or one of its affiliated companies.
©2022 Regal Rexnord Corporation, All Rights Reserved. MC017097E





Nameplate Specifications

Output HP	0.25 Hp	Output KW	0.19 kW
Voltage	12 V	Current	21.0 A
Speed	42 rpm	Service Factor	1
Efficiency	61.4 %	Duty	Continuous
Insulation Class	F	Frame	34
Enclosure	Totally Enclosed Non Ventilated	Thermal Protection	No Protection
Ambient Temperature	40 °C	Drive End Bearing Size	6201
Opp Drive End Bearing Size	608	UL	Recognized
CSA	Y	CE	N

Technical Specifications

Rotation	Reversible	Mounting	Special
Shaft Type	Parallel	Overall Length	13.31 in
Frame Length	6.06 in	Shaft Diameter	0.750 in
Shaft Extension	1.625 in	Torque	325 LB-IN
Outline Drawing	M1030807-M1135244	Connection Drawing	M100514301

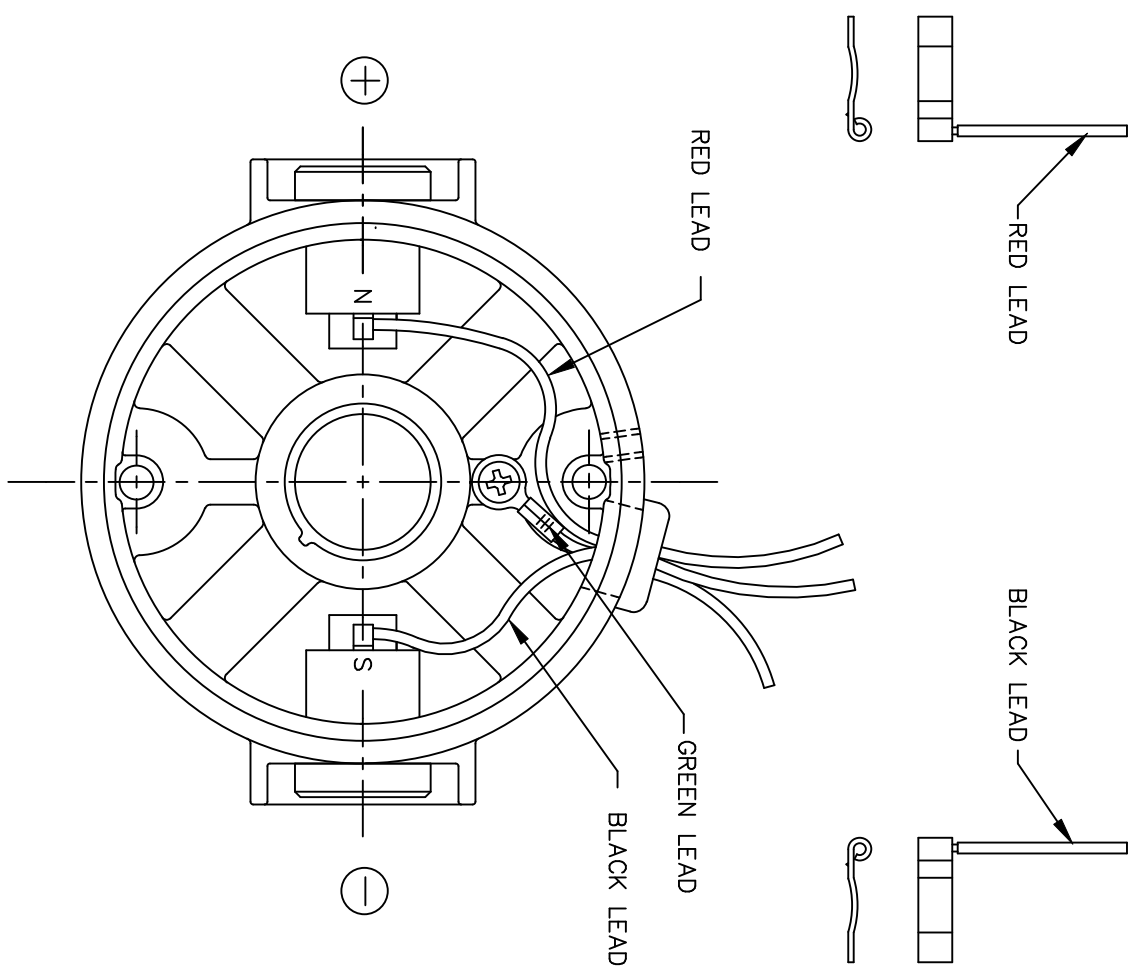
This is an uncontrolled document once printed or downloaded and is subject to change without notice. Date Created:12/20/2022


```
ERROR: syntaxerror  
OFFENDING COMMAND: --nostringval--
```

```
STACK:
```

```
-dictionary-  
/Pscript_WinNT_Compat  
-dictionary-
```

D.C. MOTORS



EXTERNAL CONNECTIONS FOR CW ROTATION
 VIEWING LEAD END OF MOTOR WITH RED LEAD
 POSITIVE AND BLACK LEAD NEGATIVE (-)
 FOR CCW ROTATION REVERSE POLARITY

				TOLERANCES UNLESS OTHERWISE SPECIFIED		LEESON ELECTRIC CORPORATION			
				DECIMALS					
03	CORRECTED "N" AND "S", ECR 80000 (PER B.C.)	VS	08/15/02	.00	± .01	DRAWN DWF 3/26/93	TITLE CONNECTION DIAGRAM		
02	ROTATED DETAIL VIEWS OF LEADS	SAD	2/4/98	.000	± .005	CH'K'D.			
01	REVERSE ROTATION WAS CW	SPV	6/3/94	.0000	± .0005	APPR.	MAT'L.		
NO.	REVISION	BY	DATE	FRACTIONS	± 1/64	SCALE 1=1			
THIS DRAWING IN DESIGN AND DETAIL IS OUR PROPERTY AND MUST NOT BE USED EXCEPT IN CONNECTION WITH OUR WORK ALL RIGHTS OF DESIGN OR INVENTION ARE RESERVED				ANGLES		REF. M1005124	FINISH LEESON	SIZE A	DRAWING NO. M1005143-01
				INCH/MM		FMF M1125046	STOCK		

ERROR: syntaxerror
OFFENDING COMMAND: --nostringval--

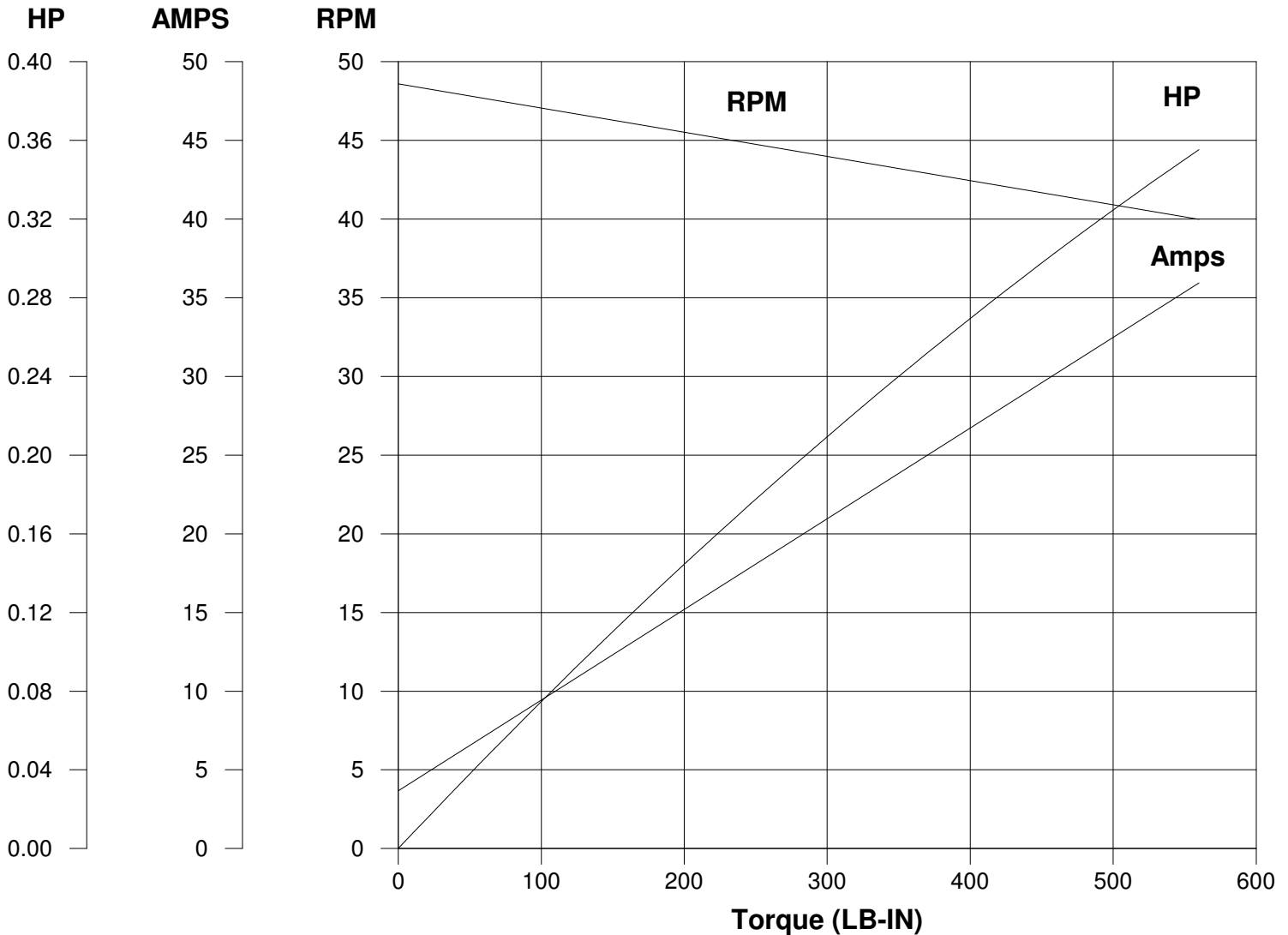
STACK:

/p2e
-savelevel-

LEESON ELECTRIC CORPORATION

TYPICAL PERFORMANCE CURVE FOR DIRECT CURRENT PERMANENT MAGNET MOTOR

Model No. <u>CM34D25NZ155</u>	Catalog No. <u>M1135244.00</u>	
HP <u>0.250</u>	RPM <u>42</u>	DC Volts <u>12.0</u>
F.F. <u>1.00</u>	Encl <u>TENV</u>	N.P. FLA <u>21.00</u>
Max. Amb. <u>40.0 Deg C</u>	Insul. <u>F</u>	Type <u>DN</u>
	Frame <u>34</u>	S.F. <u>1.00</u>
		Duty <u>Cont</u>



Ra <u>0.05300</u> Ohms La <u>0.1200</u> mHenrys Ja <u>0.6440</u> LB-IN ² Ke <u>3.908</u> V/KRPM	Kt <u>0.3304</u> LB-IN/AMP Imax <u>344.8</u> AMPS Allowed FL Torque <u>280.0</u> LB-IN FL EFF <u>62.00</u> %
-------------------------------------------------------------------------------------------------------------------------------------------------	---------------------------------------------------------------------------------------------------------------------------------------------------

Winding W- MD342107-1 Prepared by S. BERNHARDT Date 04-21-2005